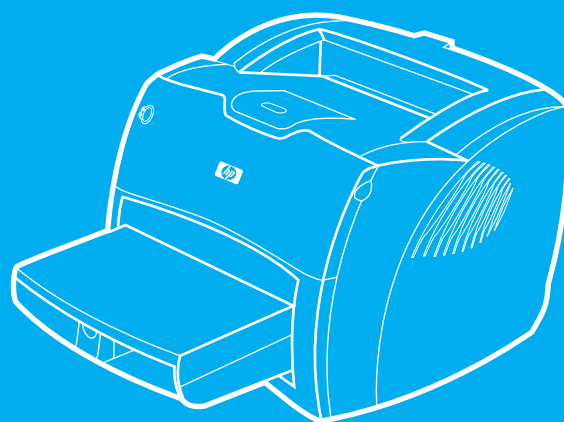


getting started guide
入门指南



i n v e n t



hp LaserJet 1200

Copyright Information

© Copyright Hewlett-Packard Company 2002

All Rights Reserved. Reproduction, adaptation, or translation without prior written permission is prohibited, except as allowed under the copyright laws.

Part number: C7044-90939
First Edition: March 2002

FCC Regulations

This equipment has been tested and found to comply with the limits for a Class B digital device, pursuant to Part 15 of the FCC rules. These limits are designed to provide reasonable protection against harmful interference in a residential installation. This equipment generates, uses, and can radiate radio frequency energy. If this equipment is not installed and used in accordance with the instructions, it may cause harmful interference to radio communications. However, there is no guarantee that interference will not occur in a particular installation. If this equipment does cause harmful interference to radio or television reception, which can be determined by turning the equipment off and on, the user is encouraged to try to correct the interference by one or more of the following measures:

Reorient or relocate the receiving antenna.

Increase separation between equipment and receiver.

Connect equipment to an outlet on a circuit different from that to which the receiver is located.

Consult your dealer or an experienced radio/TV technician.

Any changes or modifications to the printer that are not expressly approved by HP could void the user's authority to operate this equipment.

Use of a shielded interface cable is required to comply with the Class B limits of Part 15 of FCC rules.

For more regulatory information, see the HP LaserJet 1220 electronic user guide.

Warranty

The information contained in this document is subject to change without notice.

Hewlett-Packard makes no warranty of any kind with respect to this information.

HEWLETT-PACKARD SPECIFICALLY DISCLAIMS THE IMPLIED WARRANTY OF MERCHANTABILITY AND FITNESS FOR A PARTICULAR PURPOSE.

Hewlett-Packard shall not be liable for any direct, indirect, incidental, consequential, or other damage alleged in connection with the furnishing or use of this information.

Trademark Credits

Microsoft[®], Windows[®], and Windows NT[®] are U.S. registered trademarks of Microsoft Corporation. All other products mentioned herein may be trademarks of their respective companies.

版权信息

版权所有 © 2002, Hewlett-Packard Company

保留所有权利。除非版权法允许，否则，未经事先书面许可，不得进行复制、改编或翻译。

部件号: C7044-90939
第一版: 2002 年 3 月

FCC 规则

本设备经测试，证明符合 FCC 规章第 15 部分 B 级数字设备的限制。这些限制旨在提供合理的保护，防止安装在住宅环境时造成的有害干扰。本设备产生、使用并可辐射无线电频率能量。如果未按说明安装和使用本设备，可能对无线电通信造成有害干扰。然而，不能保证在特定安装中不会产生干扰。如果本设备确实对收音机或电视机接收造成有害干扰（通过关闭和打开本设备即可测出），则建议用户采取下列一种或多种措施来消除干扰：

重新调整接收天线的方向或位置。

加大本设备和接收装置之间的距离。

将本设备连接到不同于接收装置所在电路的电源插座。

请咨询经销商或经验丰富的收音机/电视机技术人员。

未经 HP 公司明确批准而擅自更改或修改本产品，可能会导致用户操作本设备的授权失效。

所使用的屏蔽接口电缆必须符合 FCC 规则第 15 部分的 B 级限制。

有关详细的规则信息，请参阅 HP LaserJet 1220 电子用户指南。

保修

本文信息如有更改，恕不另行通知。

Hewlett-Packard 对本信息不作任何形式的担保。

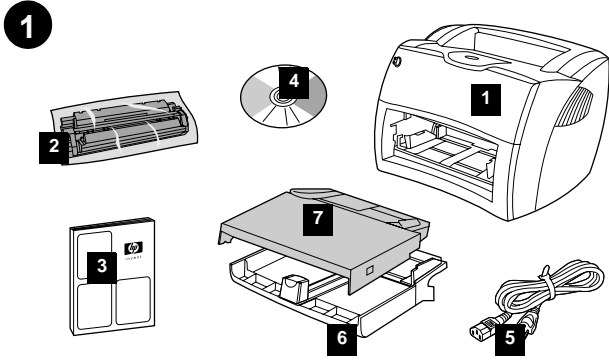
HEWLETT-PACKARD **明确声明不对针对特定用途的适销性和适合性作任何隐含担保。**

Hewlett-Packard 不对因提供或使用本信息而造成的任何直接、间接、偶发、连带或其它损失负责。

商标说明

Microsoft[®]、Windows[®]、和 Windows NT[®] 是 Microsoft Corporation 在美国的注册商标。此处提及的其它所有产品可能是其各自公司的商标。

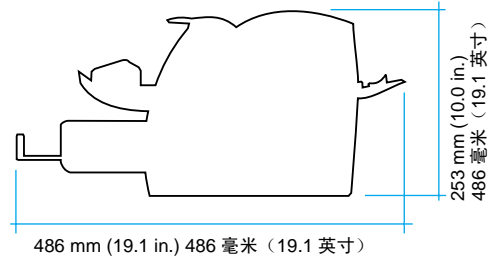
Preparation/ 准备工作



Review package contents. Make sure all parts are included.
1) HP LaserJet 1200 series printer. 2) Toner cartridge (in protective bag).
3) Getting Started Guide. 4) Software and electronic user guide (on CD-ROM). 5) Power cord. 6) Printer media input tray. 7) Printer priority media input tray.

查看包装内的物品。 确保包含所有部件。1) HP LaserJet 1200 系列打印机。2) 硒鼓 (带保护套)。3) 入门指南。4) 软件和电子用户指南 (在光盘上)。5) 电源线。6) 打印机进纸盘。7) 打印机优先进纸盘。

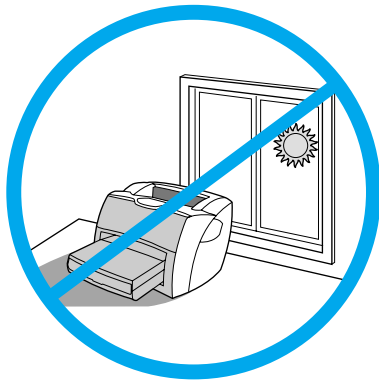
2



Prepare the location. Place on a sturdy, level surface. Allow space for ventilation. Allow space behind the printer for output from the straight-through media doors.

留出位置。 放在牢固的水平面上。留出通风空间。在打印机后面留出一定空间，以便从直通式介质盖门中出纸。

3

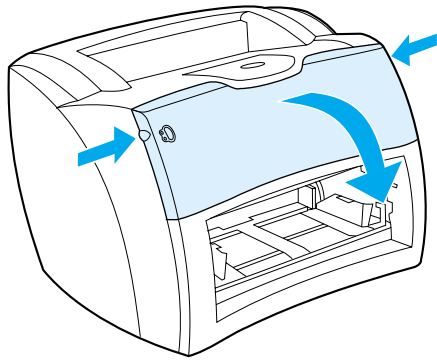


Regulate the environment. Do not place in direct sunlight. Ensure the environment is free from abrupt temperature or humidity changes.
• Temperature—10° to 32.5° C (50° to 91° F).
• Relative humidity—20% to 80%.

控制环境。 不要放在阳光直射的地方。确保环境不会出现骤然的温度和湿度变化。
• 温度 — 10° 到 32.5° C (50° 到 91° F)。
• 相对湿度 — 20% 到 80%。

Assembly/ 组装

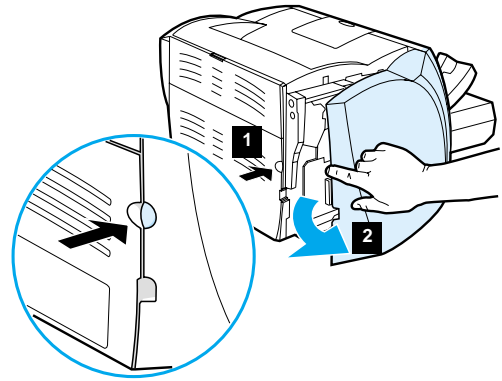
1



Open the toner door. Pull the sides of the door forward until the door locks in its open position. Leave the door open until step 7.

打开硒鼓盖门。将盖门的两侧向前拉，直到锁定在打开的位置。在执行步骤 7 之前一直保持门打开。

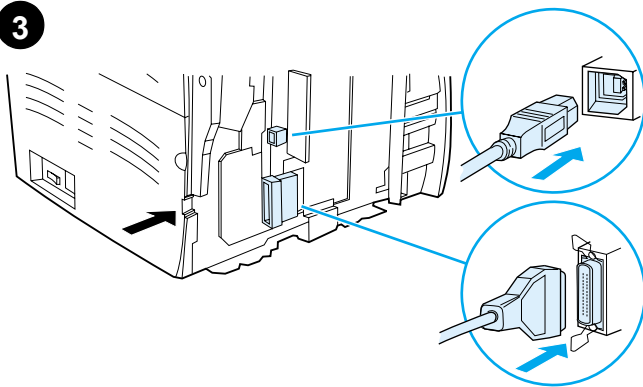
2



Remove the left side panel. 1) Grasp the left side panel using the finger hole. 2) Pull out and remove the panel.

取下左面板。 1) 利用指孔抓住左面板。2) 拉出并取下该面板。

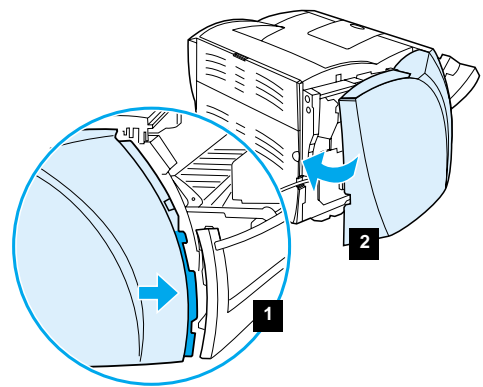
3



Connect USB or parallel cable to printer. The HP LaserJet 1200 printer includes USB and parallel ports. Connect one cable to the proper port and run the cable through the cable slot. Do not connect the cable to the computer until Step 11 (during software installation).

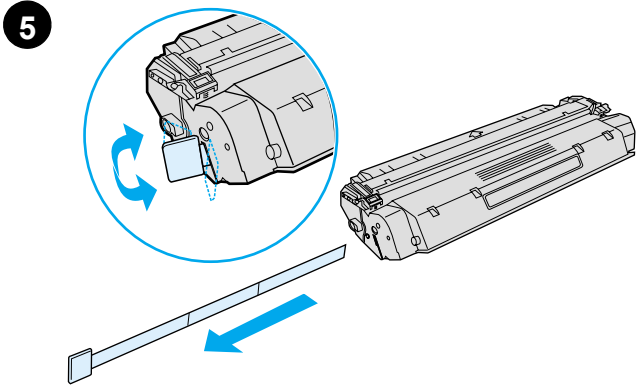
将 USB 或并行缆线与打印机连接。 HP LaserJet 1200 打印机包括 USB 端口和并口。将一条缆线连接到相应的端口上，使缆线从缆线槽中穿过。只有在软件安装步骤 11 之后，才将缆线与计算机连接。

4



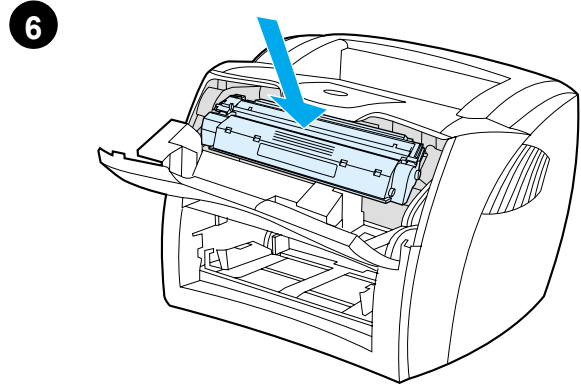
Reattach the left side panel. 1) Insert the left side panel tabs behind the edge of the front panel. 2) Swing the panel shut.

重新连上左面板。 1) 将左面板卡扣插入前面板边缘的后部。2) 转动该面板以将其关上。



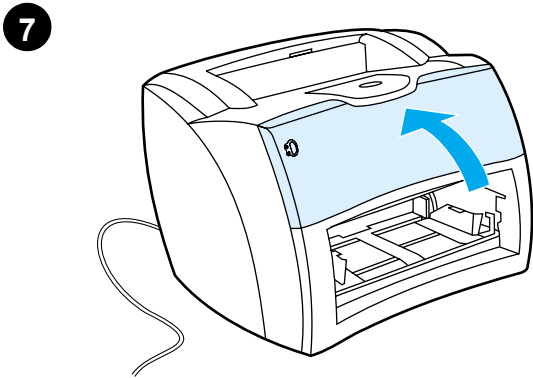
5 Prepare the toner cartridge. Remove the toner cartridge from the plastic bag. Remove the mylar tape by breaking the tab on the left and pulling the tape completely out.

准备硒鼓。从塑料袋中取出硒鼓，掰开右侧的卡扣，将聚酯薄膜带子完全拉出。



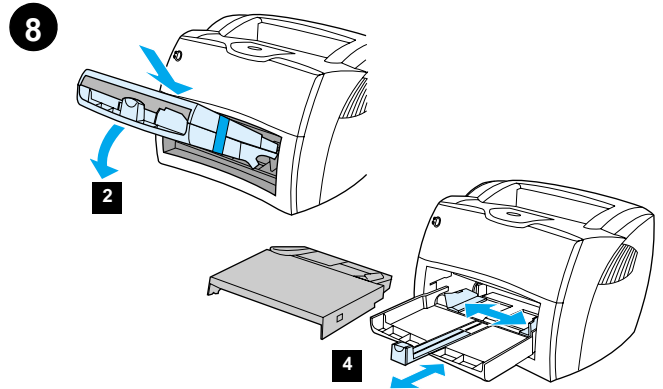
6 Install the toner cartridge. Insert the cartridge into the printer, making sure that the toner cartridge is in position.

安装硒鼓。将硒鼓插入打印机，确保硒鼓就位。



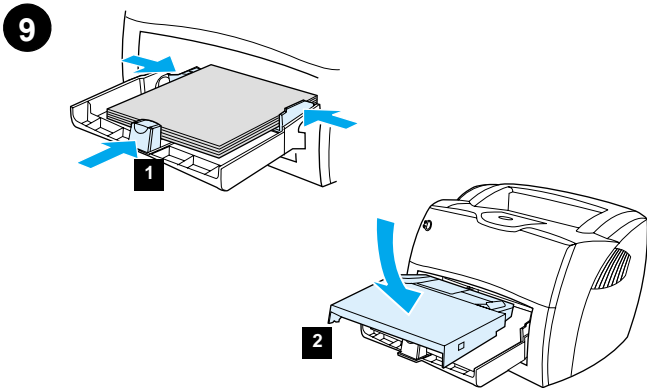
7 Close the toner door. The toner cartridge engages when the door is closed.

关闭硒鼓盖门。盖门关闭后，硒鼓将锁定就位。



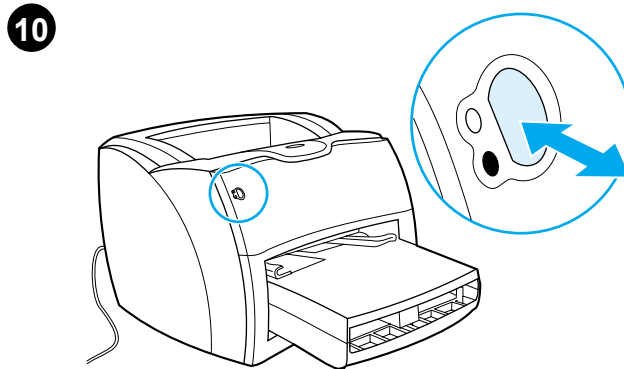
8 Install the printer trays. 1) Leave the printer media input trays taped together. 2) Slide the complete assembly in at an angle and then down until it fits securely in the printer. 3) Remove the tape and lift off the printer priority media input tray (top tray). 4) Slide the media guides out and back to accommodate the media.

安装打印机纸盘。1) 保留各打印机进纸盘用胶带粘在一起。2) 将整个组件以一定角度滑入，然后向下，直到它在打印机中固定为止。3) 取出胶带，提起打印机优先进纸盘(顶层纸盘)。4) 将介质导架滑出再滑回，以便装入介质。



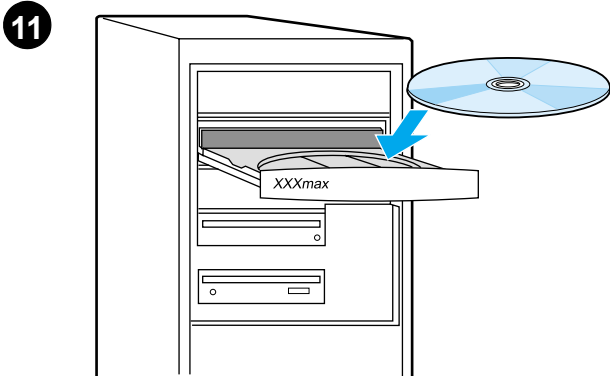
1) Place the media into the media input tray. Slide the guides until they are flush with the media. 2) Install the printer priority media input tray. 3) **Connect the power cord.** (220V models only: Turn on the switch.)

1) 将介质装入进纸盘。滑动导架，直到与介质齐平。2) 安装打印机的优先纸盘。3) **连接电源线。**（仅在 220V 的型号上：打开开关。）



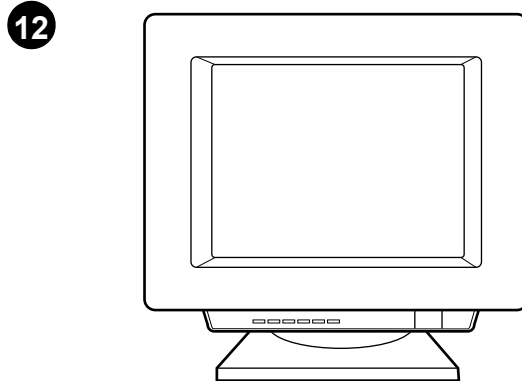
Test the printer. Wait until the ready light is illuminated and press the **Go** button. A configuration page, showing the printer's current configuration, should print in 10 seconds. If a configuration page does not print, go to Step 15. Refer to the electronic user guide on the CD for more information.

测试打印机。等到就绪指示灯点亮后，按**执行**按钮。配置页，显示打印机的当前配置，应该在 10 秒钟内打印出来。如果不打印配置页，则转到步骤 15。有关的更多信息，请参阅该光盘上的《用户手册》。



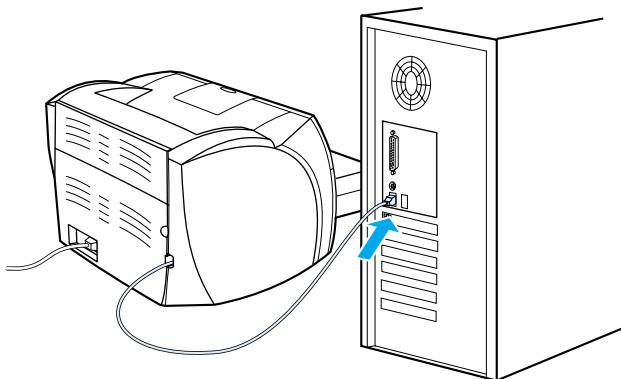
Install the printer software. Insert the CD for your software installation or go to the Plug and Play section.

安装打印机软件。插入软件安装的光盘，或转到“即插即用”一节。



Installing on Windows. 1) Select **Software Installation** from the autorun screen. If autorun does not occur, select **Start**, select **Run**, and type `x:\setup` (where x is the letter of your CD-ROM drive).

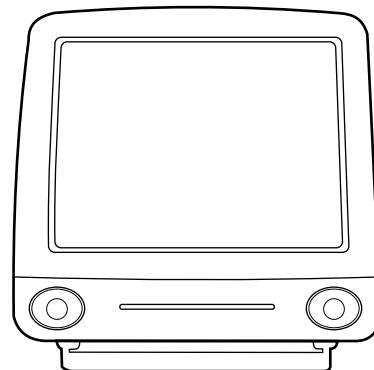
在 Windows 下安装。 1) 从自动运行屏幕 选择**软件安装**。如果没有自动运行，则选择**开始**，再选择**运行**，然后键入 `x:\setup`（其中 x 是您的 CD-ROM 驱动器的盘符）。



2) Follow the instructions on the screen. Click **Finish** to complete the installation 3) After the installation is complete, connect the I/O cable to the computer and reboot the computer.

2) 按照屏幕上的指导操作。单击**完成**结束安装 3) 完成安装后，将 I/O 缆线与计算机相连，然后重新启动计算机。

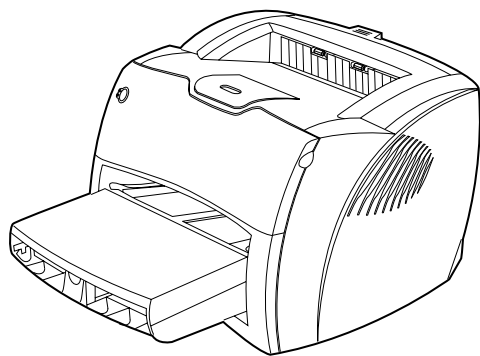
13



Installing on Macintosh (USB). 1) Run the installer, then restart. 2) Run the Apple Desktop Printer utility. 3) Select **HP Printer (USB)**. 4) Click **Change**. 5) Select **HP LaserJet**. 6) Click **Auto Setup**, then **Create**.

在 Macintosh (USB) 上安装。 1) 运行安装程序，然后重新启动计算机。2) 运行 Apple Desktop Printer (苹果桌面打印机) 实用程序。3) 选择 **HP 打印机 (USB)**。4) 单击**更改**。5) 选择 **HP LaserJet**。6) 单击 **Auto Setup** (自动设置)，然后单击**创建**。

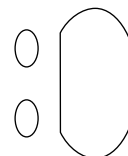
14



Congratulations! Your HP LaserJet 1200 product is ready to use. If you had any problems, refer to the electronic user guide for troubleshooting information as well as service and support information.

恭喜您！您可以开始使用 HP LaserJet 1200 产品了。 如果您有任何问题，请参阅电子用户指南，以获取故障排除信息及服务与支持信息。

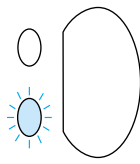
15



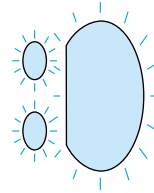
No lights are on.
没有任何指示灯打开。

Troubleshooting the printer. 1) If no lights are on, check the power cord; then press the **Go** button.

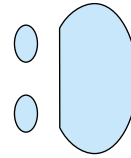
排除打印机的故障。 1) 如果没有任何指示灯打开，按**执行**按钮。



Bottom light is blinking.
底部的指示灯闪烁。



All lights are blinking.
所有指示灯均闪烁。



All lights are on.
所有指示灯均打开。

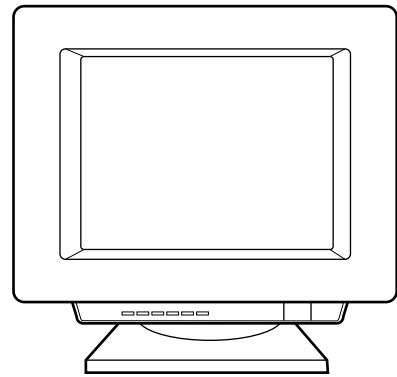
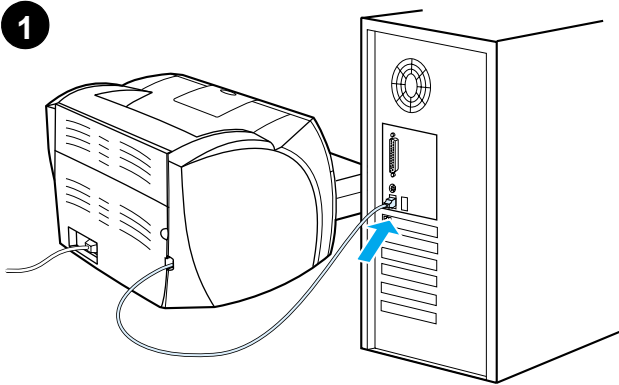
2) If the bottom light is blinking, check the toner cartridge for proper installation, put media in the input tray, make sure all doors are closed, or check for media jams.

2) 如果底部的指示灯闪烁，检查硒鼓安装是否正确，将介质放入进纸盘，确保所有盖门均已关闭，或检查是否卡纸。

3) If all lights are blinking, remove the DIMM and replace it with a new DIMM, if necessary. 4) If all lights are on, unplug the printer, wait 5 minutes, plug it back in, and retry. If errors still exist, call HP Customer Support.

3) 如果所有指示灯均闪烁，取出 DIMM 并使用新的 DIMM 替换（如果有必要）。4) 如果所有指示灯均打开，拔下打印机的电源线，等待 5 分钟，再将电源线插入，然后重试。如果错误仍然存在，请致电 HP 客户支持中心。

Plug & Play/ 即插即用

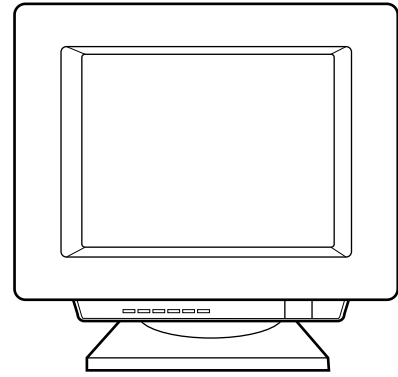
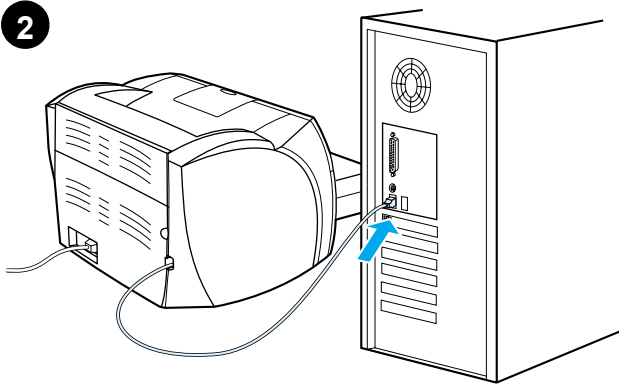


Installing on Windows 98 and Millennium (USB). 1) Connect the I/O cable to the computer. 2) Reboot the computer. 3) In the Add New Hardware wizard, click **Next**. 4) Select **Search for the best driver for your device (recommended)**, and click **Next**.

在 Windows 98 和 Windows Millennium (USB) 上安装。 1) 将输入 / 输出缆线与计算机连接。2) 重新启动计算机。3) 在添加新硬件向导中，单击下一步。4) 选择搜索设备的最佳驱动程序（推荐），然后单击下一步。

5) Select **Specify a location**, then type `x:\98Me_USB\` (where x is the letter of your CD-ROM drive). 6) Follow the instructions on your screen.

5) 选中**指定一个位置**，然后键入 `x:\98Me_USB\`（其中 x 是您的 CD-ROM 驱动器的盘符）。6) 按照屏幕上的指导操作。

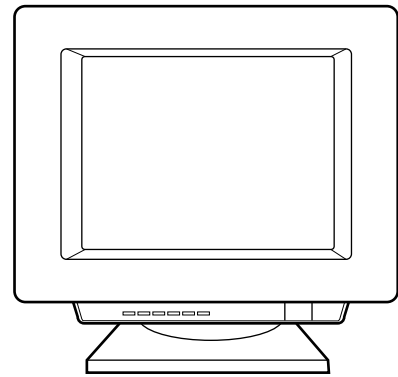
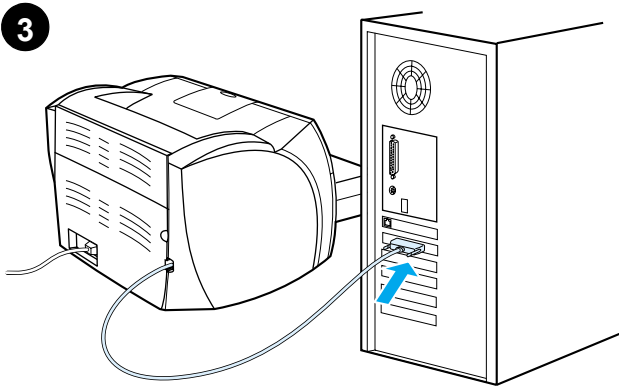


2
Installing on Windows 2000 (USB). 1) Connect the I/O cable to the computer. 2) Reboot the computer. 3) In the Found New Hardware wizard, click **Next**. 4) Select **Search for a suitable driver for my device (recommended)**, and click **Next**.

5) Select **Specify a location**. 6) Under **Copy manufacturer's files from**, type `x:\2000\` (where *x* is the letter of your CD-ROM drive), and click **OK**. 7) Click **Next**. 8) Follow the instructions on your screen.

在 Windows 2000 (USB) 上安装。 1) 将输入 / 输出缆线与计算机连接。2) 重新启动计算机。3) 在发现新硬件向导中，单击下一步。4) 选择搜索适于我的设备的驱动程序（推荐），然后单击下一步。

5) 选中指定一个位置。6) 在文件复制来源中，键入 `x:\2000\`（其中 *x* 是您的 CD-ROM 驱动器的盘符），然后单击确定。7) 单击下一步。8) 按照屏幕上的指导操作。



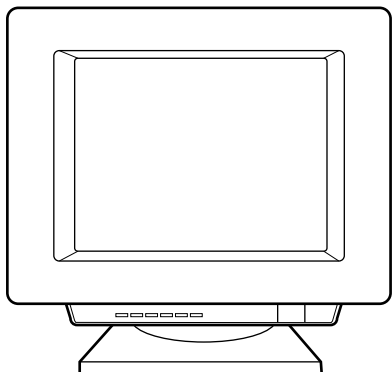
3
Installing on Windows 9X and Millennium (Parallel). 1) Connect the I/O cable to the computer. 2) Reboot the computer. 3) When the Installation Wizard appears, click **Next**.

4) Select **Search for the best driver for your device (recommended)**, and click **Next**. 5) Select **Specify a location**, then type `x:\9xMe_LPT` (where *x* is the letter of your CD-ROM drive). 6) Follow the instructions on your screen.

在 Windows 9X 和 Windows Millennium (并口) 上安装。 1) 将输入 / 输出缆线与计算机连接。2) 重新启动计算机。3) 当“安装”向导出现时，单击下一步。

4) 选择搜索设备的最佳驱动程序（推荐），然后单击下一步。5) 选中指定一个位置，然后键入 `x:\9xMe_LPT\`（其中 *x* 是您的 CD-ROM 驱动器的盘符）。6) 按照屏幕上的指导操作。

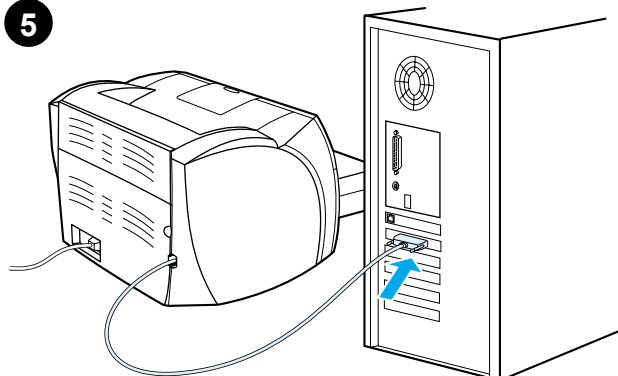
4



Installing on Windows NT (Parallel). (Note: You must have administrator privileges.) 1) When the Installation wizard appears, click **Software Installation**. 2) Follow the instructions on your screen.

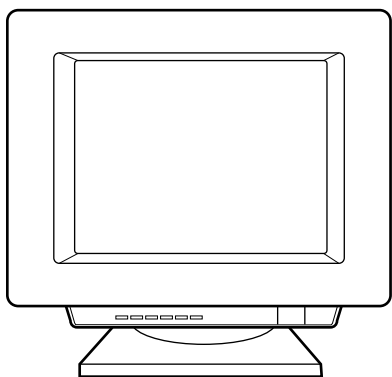
在 Windows NT (并口) 上安装。 (注意: 您必须具有管理员权限)
1) 当“安装”向导出现时, 单击**软件安装**。2) 按照屏幕上的指导操作。

5



Installing on Windows 2000 (Parallel). 1) Connect the I/O cable to the computer. 2) Reboot the computer. 3) In the Found New Hardware wizard, click **Next**. 4) Select **Search for a suitable driver for my device (recommended)**, and click **Next**.

在 Windows 2000 (并口) 上安装。 1) 将输入 / 输出缆线与计算机连接。
2) 重新启动计算机。3) 在发现新硬件向导中, 单击**下一步**。4) 选择**搜索适于我的设备的驱动程序 (推荐)**, 然后单击**下一步**。



5) Select **Specify a location**. 6) Under **Copy manufacturer's files from**, type `x:\2000\` (where x is the letter of your CD-ROM drive), and click **OK**. 7) Click **Next**. 8) Follow the instructions on your screen.

5) 选中**指定一个位置**。6) 在**文件复制来源**中, 键入 `x:\2000\` (其中 x 是您的 CD-ROM 驱动器的盘符), 然后单击**确定**。7) 单击**下一步**。8) 按照屏幕上的指导操作。



copyright© 2002
Hewlett-Packard Co.

www.hp.com/support/lj1200



C7044-90939